



ET42

Tracked Conventional Excavator

The boost for every construction site

Full speed ahead: the ET42 mini-excavator combines proven technology with a large dose of innovation to lead the 4-metric ton class. It has the usual high lifting and digging forces, as well as fast work cycles. Thanks to modern technologies, emissions are reduced while efficiency is increased. The ET42's powerful engine meets Stage V emissions standards. The intuitive operating concept means this powerhouse is both user-friendly and comfortable for the operator, while offering an excellent view of the working area.

Highlights

- Flexible cylinder rod protection
- Load Sensing Flow Sharing
- Vertical Digging System VDS+
- 3-point kinematics
- Active Working Signal (AWS)

Technical Data

Hydraulic

| | |
|-------------------------------|-------------------|
| Operating pressure hydraulics | 245.0 bar |
| Hydraulic pump | Axial piston pump |
| Flow rate max. | 90.0 l/min |

Mechanical - Output Details

| | |
|------------------------|------------|
| Nominal rotation speed | 36.0 1/min |
| Travel speed | 4.8 km/h |

Mechanical Details

| | |
|------------------------------|----------------------|
| Length | 5,594.0 mm |
| Width | 1,750.0 mm |
| Height | 2,608.0 mm |
| Weight | 3,817.00 kg |
| Operating weight (min.-max.) | 4,032.0 - 5,206.0 kg |
| Digging depth (max.) | 3,544.0 mm |

Engine

| | |
|-------------|---------------|
| Cooling | Water-cooling |
| Engine type | Diesel engine |

| | |
|-------------------------------|-------------------------|
| Cylinder | 3.0 |
| Cylinder capacity | 1,662.0 cm ³ |
| Inclined position max. | 30.0 ° |
| Fuel | Diesel EN 590 |
| Effective power | 32.5 KW |
| Nominal Engine speed | 2,000.0 1/min |
| Exhaust-gas limit | EU Stage V |
| Battery capacity (nom. value) | 77.0 Ah |
| Engine Manufacturer | Perkins |
| Engine Designation | 403J-E17T |

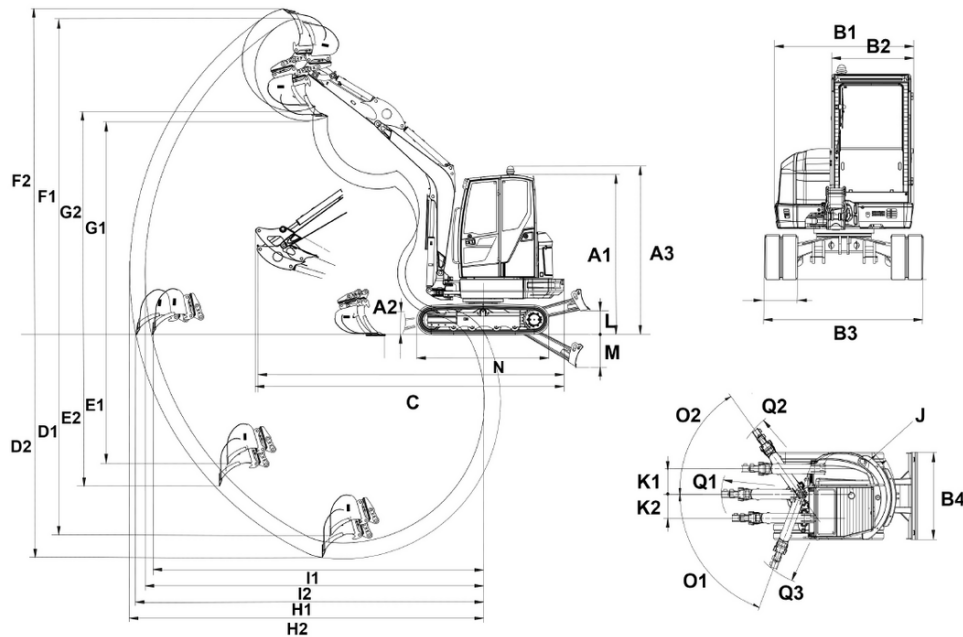
Environment Data

| | |
|-----------------------------|------------|
| Protection class | Stage V |
| Sound power LWA, measured | 97.0 dB(A) |
| Sound power LWA, guaranteed | 97.0 dB(A) |

Shipping and Storage

| | |
|-----------------|------------|
| Shipping weight | 3,817.0 kg |
|-----------------|------------|

Dimensions



| | | |
|----|---------------------------------------------------|----------|
| A1 | Height with cab | 2,494 mm |
| A2 | Height of dozer blade | 360 mm |
| A3 | Total height with rotating beacon | 2,608 mm |
| B1 | Width of upper carriage | 1,720 mm |
| B2 | Width of cab | 980 mm |
| B3 | Width travel gear | 1,750 mm |
| B4 | Width of dozer blade | 1,750 mm |
| C | Transport length short shovel arm | 5,146 mm |
| | Transport length long shovel arm | 5,152 mm |
| D1 | Digging depth max., short shovel arm | 3,344 mm |
| D2 | Digging depth max., long shovel arm | 3,544 mm |
| E1 | Piercing depth max., short shovel arm | 2,114 mm |
| E2 | Piercing depth max., long shovel arm | 2,293 mm |
| F1 | Piercing height max., short shovel arm | 5,210 mm |
| F2 | Piercing height max., long shovel arm | 5,340 mm |
| G1 | Dumping height max., short shovel arm | 3,573 mm |
| G2 | Dumping height max., long shovel arm | 3,703 mm |
| H1 | Digging radius max., short shovel arm | 5,489 mm |
| H2 | Digging radius max., long shovel arm | 5,678 mm |
| I1 | Max. reach at ground level (short shovel arm) | 5,376 mm |
| I2 | Max. reach at ground level (long shovel arm) | 5,570 mm |
| J | Tail swing radius | 1,335 mm |
| K1 | Boom offset max. (to center of bucket right side) | 493 mm |
| K2 | Boom offset max. (to center of bucket left side) | 532 mm |
| L | Stacking height max. (dozer blade above surface) | 418 mm |
| M | Digging depth max. (dozer blade below surface) | 563 mm |
| N | Length travel drive | 2,198 mm |
| O1 | Max. swivel angle (arm system to the left) | 70 ° |
| O2 | Max. swivel angle (arm system to the right) | 55 ° |
| Q1 | Boom swing radius center | 2,175 mm |
| Q2 | Boom swing radius right | 2,061 mm |
| Q3 | Boom swing radius left | 1,820 mm |